

LUXR V1 ROUND CONFIGURATION

Please fill in appropriate codes into boxes provided

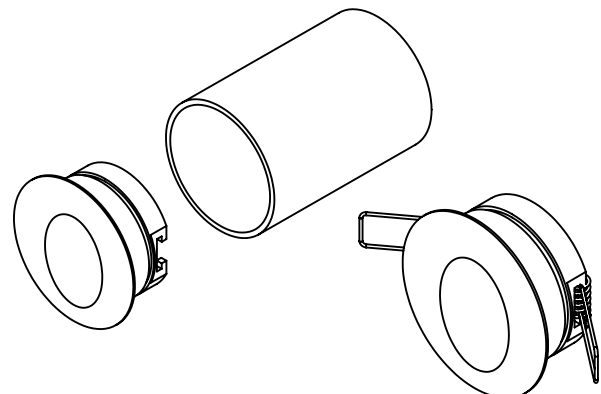
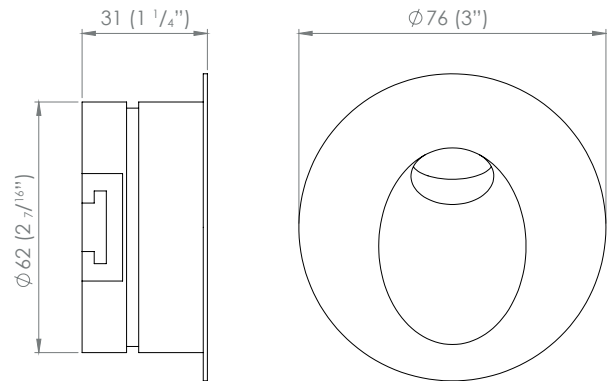
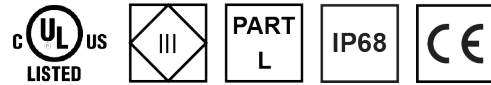
| Power | Flange | Driver | Material | Colour | Accessories |
|-----------|---------|-------------------|--|---|--------------------------------------|
| V1 | | | | | |
| V1 1 Watt | R Round | R Remote (series) | A Aluminium* BK Black BZ Bronze W White | 27 2700K 30 3000K 40 4000K R Red G Green B Blue A Amber | CS Coil Springs PCAN PVC Canister |

*Please specify powder-coat colour when ordering an aluminium luminaire.

V1 ROUND

SPECIFICATIONS

| | |
|----------------------------------|---|
| Power | 1 Watt/2 Watt |
| Ingress Protection Rating | IP65 |
| Cable | H05RN-F 2x 0.75mm |
| Material | - Black/White/Bronze Powdercoated |
| Removable Light Engine | 1W Cree XPG-3 Chip |
| Colour Temperature | Warm White - 2700K and 3000K Neutral White - 4000k |
| CRI | 90+ CRI |
| Efficacy | 80lm/w - Delivered from Luminaire with unobstructed beam |
| Input | 350mA Constant current (Remote) 12V AC (Integral) 24V DC (Integral) |
| Warranty | Electronics Warranty 5 Years |
| Body Warranty | 5 Years for Aluminium |
| LED Life Expectancy | 50,000 Hours |
| B Number | 94.05 |



ACCESSORIES

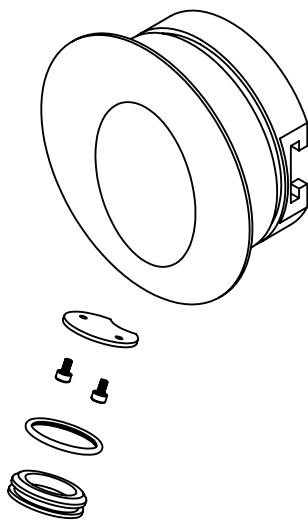
Coil springs
PVC Canister
www.luxrled.com

RECOMMENDATIONS

Using the mounting options stated on page one will make recessed installation of this product simple. Core a hole in an existing wall or cast a canister in place. Once in place, simply push the fitting into the canister or wall space. The luminaire can be retained by a number of different added accessories.

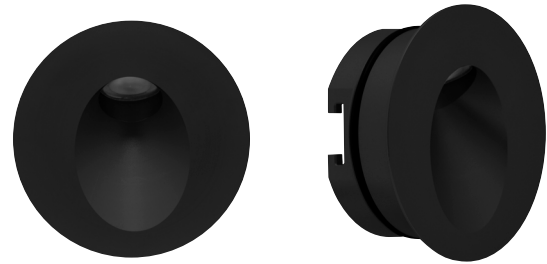
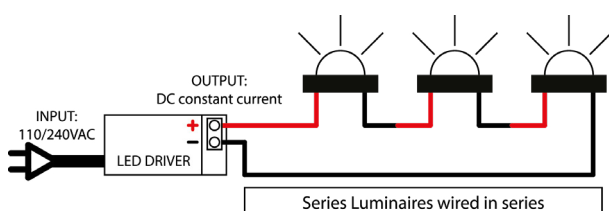
REPLACING COMPONENTS

Firstly remove the luminaire from its recessed location. Unscrew the gland on the back paying close attention to the assembly order or refer to the diagram below. Locate the item that needs to be replaced, it is imperative you replace the component with factory LuxR parts to ensure correct operation of the luminaire. When reassembling make sure all the components are in their correct order to ensure water tightness and correct light output.

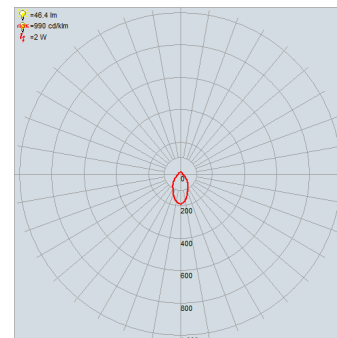


REMOTE DRIVER WIRED IN SERIES

Often referred to as series wiring the current in a series circuit follows one path from start-to-finish with the positive of the second LED connected to the negative of the first. Series wiring allows a single driver to be mounted remotely, powering a number of series fittings. Often the most simplest of wiring schemes as each fitting is connected to the next in a daisy chain. It removes the need for a smaller 12 volt driver in each fitting.



BEAM ANGLES



V1

V1

The V1 luminaire range is powered by a 1 watt LuxR light engine that offers a wide choice of LED colours. The luminaire was developed to meet the challenge of delivering high quality practical accent lighting with maximum energy efficiency and a long, maintenance-free life.

All LuxR luminaires offer a replaceable LED system using Cree LED chips for maximum performance and long life. Precise LED binning by Cree ensure the same colour temperature across all our luminaires which allows LuxR products to be situated close to one another without the fear of colour variance in the colours.

This luminaire is extremely tough, durable and waterproof, making it ideal for installation in public spaces, large-scale projects and residential areas.

INTEGRAL DRIVER + TRANSFORMER

In a parallel circuit all the positive connections are tied together and back to the positive output of the LED driver and all the negative connections are tied together and back to the negative output of the driver. The integral driver option allows LuxR fittings to be wired in parallel to existing or new installations where a wire wound or magnetic transformer is being used.

