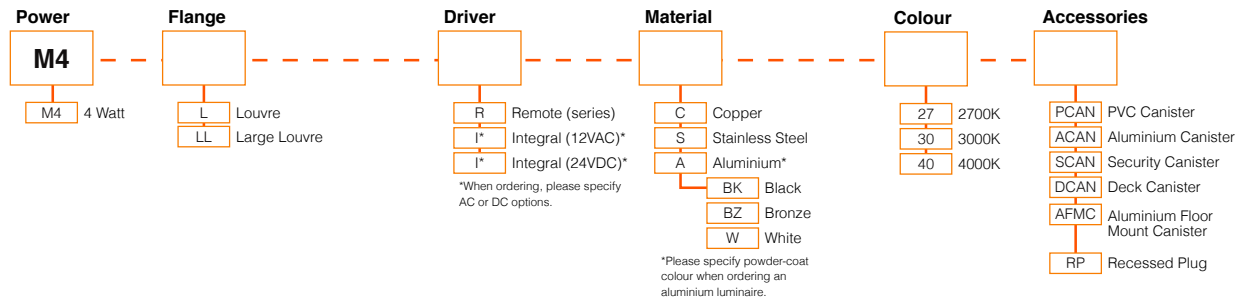




M4 LOUVRE CONFIGURATION

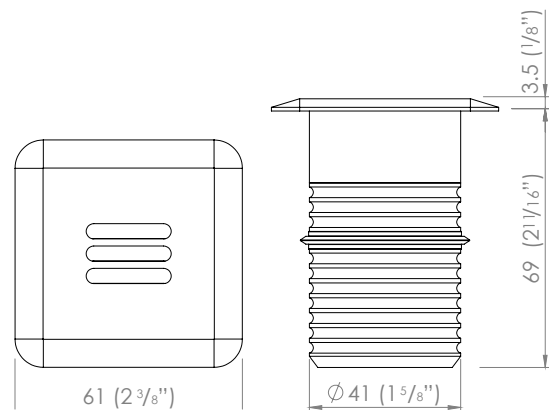
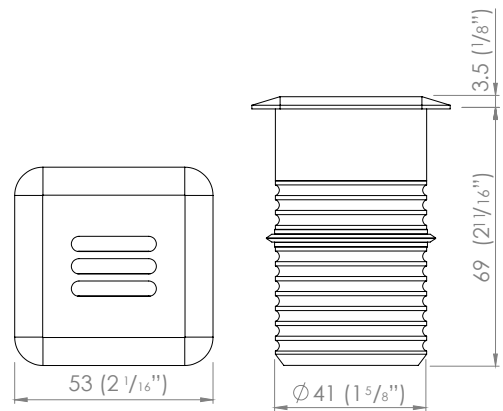
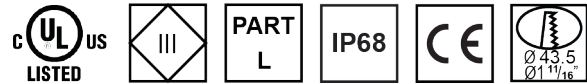
Please fill in appropriate codes into boxes provided



MODUX FOUR LOUVRE

SPECIFICATIONS

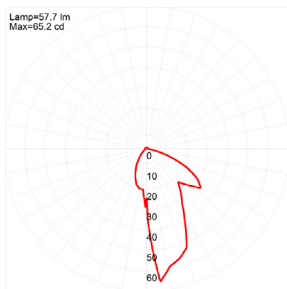
| | |
|----------------------------------|--|
| Power | 4 Watt |
| Ingress Protection Rating | IP68 |
| Cable | H05RN-F 2x 0.75mm |
| Material | - Black/ White/Bronze Powdercoated - Natural Copper - 316 Stainless Steel |
| Removable Light Engine | Screw Mounted 4W Cree XHP50 Chip |
| Colour Temperature | Warm White - 2700K and 3000K Neutral White - 4000k |
| CRI | 90+ CRI |
| Efficiency | 90lm/w - Delivered from Luminaire with unobstructed beam |
| Input | 700mA Constant current (Remote) 12V AC (Integral) 24V DC (Integral) |
| Warranty | Electronics Warranty 5 Years |
| Body Warranty | 5 years Aluminium. 10 years Copper and Stainless Steel |
| Load Rating | Stainless Steel 5000kg/11000lbs COPPER AND ALUMINIUM ARE SOFT METALS AND ARE NOT SUITABLE FOR DRIVE OVER APPLICATIONS |
| LED Shield | LED Bypass Shunt LED Reverse Polarity Protection |
| LED Life Expectancy | 50,000 Hours |
| B Number | 94.05 |



ACCESSORIES

Recessed mounting canisters
(Please refer to the canister spec sheets for more information)

BEAM ANGLES



Asymmetric Beam

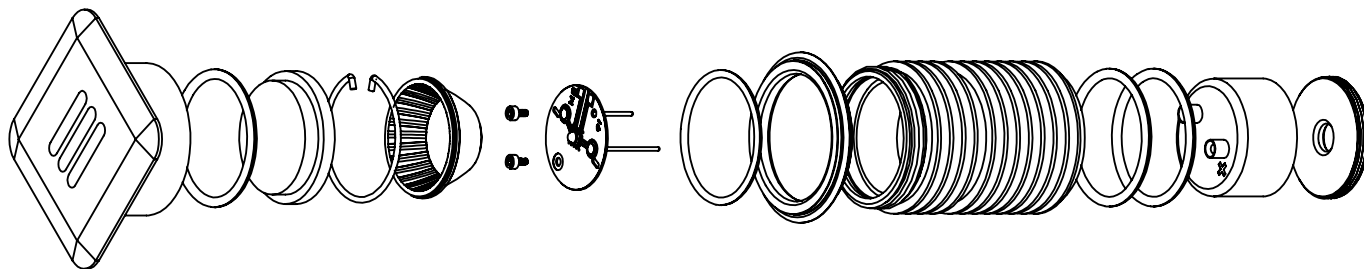


RECOMMENDATIONS

Using the recessed mounting canisters will make recessed installation of this product simple. Core a hole in an existing wall or cast the canister in. Once in place, simply push the fitting into the canister. The luminaire will be retained by a silicon wiper seal.

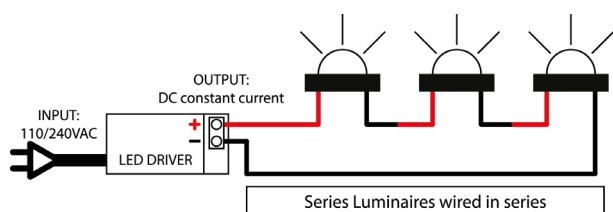
REPLACING COMPONENTS

Firstly remove the luminaire from its recessed location. Unscrew the flange paying close attention to the assembly order or refer to the diagram below. Locate the item that needs to be replaced, it is imperative you replace the component with factory LuxR parts to ensure correct operation of the luminaire. When reassembling make sure all the components are in their correct order to ensure water tightness and correct light output.



REMOTE DRIVER WIRED IN SERIES

Often referred to as series wiring the current in a series circuit follows one path from start-to-finish with the positive of the second LED connected to the negative of the first. Series wiring allows a single driver to be mounted remotely, powering a number of series fittings. Often the most simplest of wiring schemes as each fitting is connected to the next in a daisy chain. It removes the need for a smaller 12 volt driver in each fitting.



INTEGRAL DRIVER + TRANSFORMER

In a parallel circuit all the positive connections are tied together and back to the positive output of the LED driver and all the negative connections are tied together and back to the negative output of the driver. The integral driver option allows LuxR fittings to be wired in parallel to existing or new installations where a wire wound or magnetic transformer is being used.

