

Type reference : E 32 TP 309

European standard :

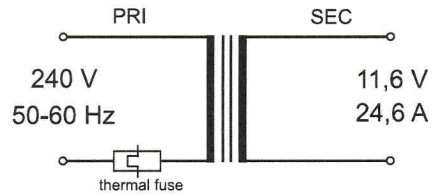
EN 61 558-2-6 (1997)

General data :

single-phase safety isolating transformer
protection against electric shock : class II
degree of protection to EN 60 529 : IP67
non short-circuit proof transformer
rated maximum ambient temperature : ta 40°C
temperature class according to IEC 60 085 : E

Electrical values :

rated voltages : input : 240 V
output : 11,6 V
no - load output : 11,9 V
rated frequency : 50-60 Hz
rated current : output 24,6 A
total losses : 28,4 Watt
efficiency : 91%



Marking :

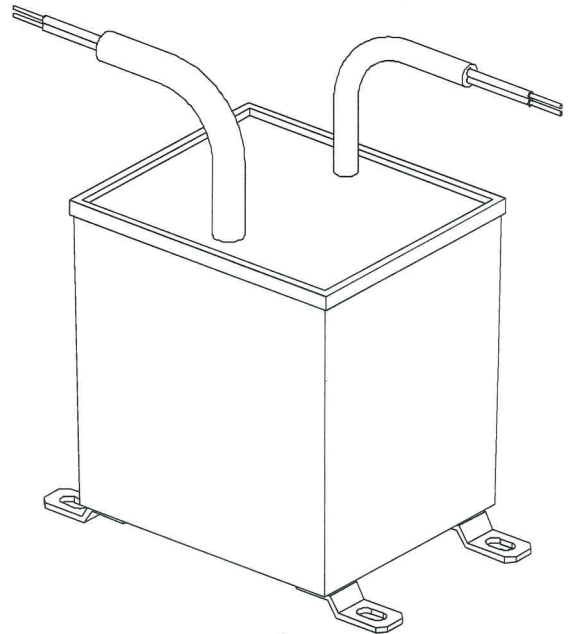


Constructional data :

in plastic case
vacuum-encapsulated with synthetic resin
connection : input : polychloropren cable
H05 RN-F 2 x 0,75 mm²
color : black
length : 1 m
output : polychloropren cable
H07 RN-F 2 x 2,5 mm²
color : black
length : 1 m

Dimensions and weight :

dimensions : 105 x 88 x 110 mm
weight : 3,8 kg



				Datasheet	
000		27/05/05		Safety isolating transformer	
				1 / 1	
				E 32 TP 309	