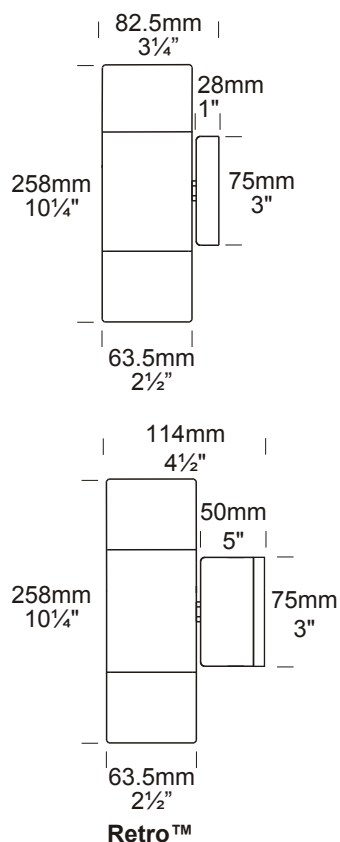


Pagoda Pagoda Lite

Cat. No PGLPGL
Cat. No PGLPGL/R
Cat. No PGLPGLG9



The Pagoda Pagoda Lite has two G4 lamps, which produce a general lighting effect. This luminaire is not for directional lighting. The lens is manufactured from high quality UV stable polycarbonate with stainless anti-glare mesh.

The Retro version is a 110/240-12 ac mains option suited to an installation where mounting a transformer is a problem. For example a brick wall where there is only the cable protruding out of the wall and it is not an option to recess the transformer or when replacing an existing light fitting. The base increases in size to accommodate the encapsulated IP66 dimmable transformer.

A G9 version of this luminaire is also available for line voltage lamps.

Ordering Information

Luminaire Type	Material/Finish	Accessories
PGLPGL - Pagoda Pagoda Lite	BK - Black BZ - Bronze	CJK150 - Cable Joint Kit LENSBOLOP - Opaque Lens
PGLPGL/R - Pagoda Pagoda Lite Retro	CT - Corten DG - Dark Grey OG - Olive Green	WBAP - Wall Box Adapter Plate
PGLPGLG9 - Pagoda Pagoda Lite G9	WB - White Birch WH - White COP - Copper SS - Stainless Steel	

Ordering example: PGLPGL BZ - Pagoda Pagoda Lite in Bronze
PGLPGL/R COP - Pagoda Pagoda Lite Retro in Copper
PGLPGLG9 SS - Pagoda Pagoda Lite G9 in Stainless Steel
LENSBOLOP - Opaque Lens
(accessories ordered separately)

Luminaire Construction

CNC machined from one of the following metals:

Aluminium

High corrosion resistant aluminium with chromate substrate and high UV resistant polyester powder coat. Body: 63.5 (2½") x 10mm (3/8") tube.

End cap: solid aluminium 63.5mm (2½") rod.

Base: 2mm (1/16") hand spun aluminium.

Back plate: cast from virgin high corrosion resistant CC401 low copper aluminium alloy.

Colours:

Black, Bronze, Corten, Dark Grey, Olive Green, Silver Star, White Birch, White.

Copper

Body: 63.5 (2½") x 10mm (3/8") tube. End cap: solid copper 63.5mm (2½") rod.

Base: 2mm (1/16") hand spun copper.

Back plate: forged brass.

316 Stainless Steel

Body: 63.5 (2½") x 10mm (3/8") tube. End cap: solid stainless steel 63.5mm (2½") rod.

Base: 2mm (1/16") hand spun stainless steel.

Back plate: investment cast and CNC machined stainless steel.

Mounting

12 volt - The luminaire is mounted to the wall using two 316 stainless steel screws through a shallow base 16mm (5/8") in depth. A Wall Box Adapter Plate is available as an accessory to fit 3.0 and 4.0 junction boxes for USA/Canada.

Retro - A mounting plate is fixed to the wall using two screws, the luminaire is then fitted to the mounting plate.

Features

Lens

UV stable clear polycarbonate with stainless anti-glare mesh.

Lifetime Warranty.

Gasket

Silicone, iron impregnated 220°C (428°F).

Lamp Holder

G4 - 350°C (662°F) ceramic multi contact lamp holder with 250°C (480°F) Teflon cables.

G9 - 280°C (536°F) ceramic lamp holder with 250°C (480°F) Teflon cables.

Accessories

Cable Joint Kit (Cat. CJK150). Not approved for USA/Canada.

Opaque Lens (Cat. LENSBOLOP).

Wall Box Adapter Plate (Cat. WBAP).

For 12 volt luminaires for USA/Canada.

Standards

IP66, UL1838,

Luminaire Weight

12 volt - **Aluminium** - 0.870kg (1lb 14oz)

Copper - 1.920kg (4lb 4oz)

Stainless Steel - 1.820kg (4lb)

Retro - **Aluminium** - 1.200kg (2lb 10oz)

Copper - 2.200kg (4lb 13oz)

Stainless Steel - 2.100kg (4lb 10oz)

Power Supply

12 volt - Hunza Inground or Wall Mount Transformer: not included.

USA and Canada

Hunza Wall Mount Transformer: not included.

Retro - Hunza 110/240 12vac potting electronic transformer is built into the base. Dimmable with a suitable dimmer. Approved for internal use.

Lamp Options

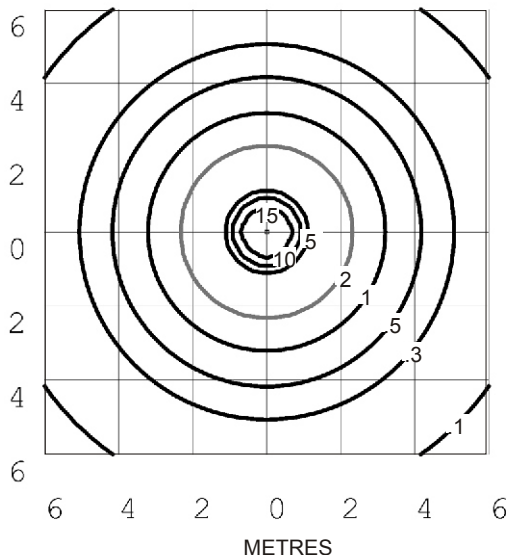
G4 - 5, 10 or 20 watt lamp max.

G9 - 25 watt lamp max.

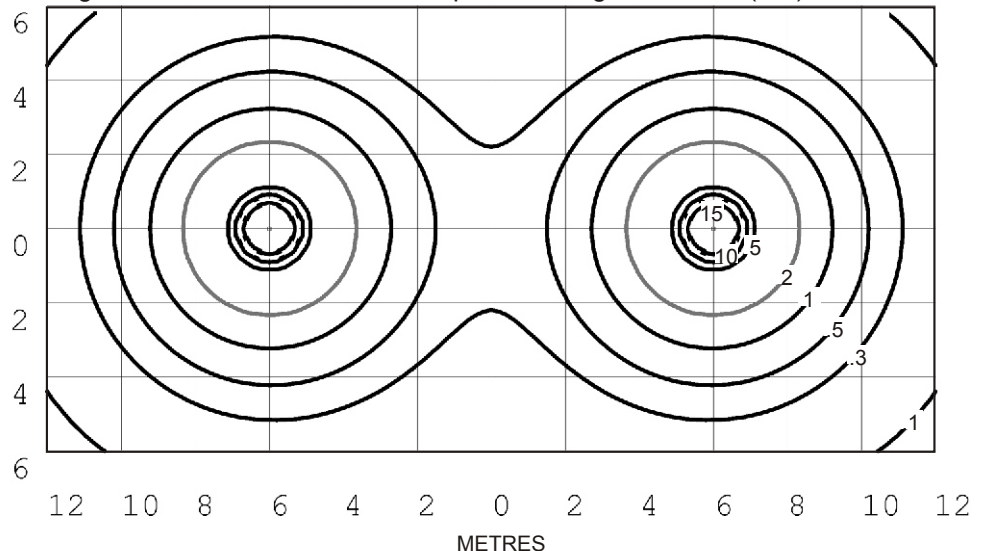
USA and Canada

G4 - 5, 10 or 20 watt lamp max.

G9 - 25 watt lamp max.



Pagoda Lite G4 20 watt Bi-Pin lamp - Lens height 1600mm (63")



Isolux Lumens Plot - Footcandles = Isolux figures divided by 10.76

HUNZA™ PURE
OUTDOOR
LIGHTING

HUNZA FACTORY
130 Felton Mathew Ave
Glen Innes
Auckland 1072
New Zealand

Ph: 64-9-528 9471
Fax: 64-9-528 9361
hunza@hunza.co.nz
www.hunzalighting.com

INTERNATIONAL CONTACTS:
[http://www.hunzalighting.com/
contact.php](http://www.hunzalighting.com/contact.php)
Specification may change without notice.
Manufactured in New Zealand.
© 2016 Hunza Holdings Ltd.